

Kidde Engineered Fire Suppression System

Designed for use with 3M™ Novec™ 1230 Fire Protection Fluid



Effective: June 2015

K-45-4080 Rev AC

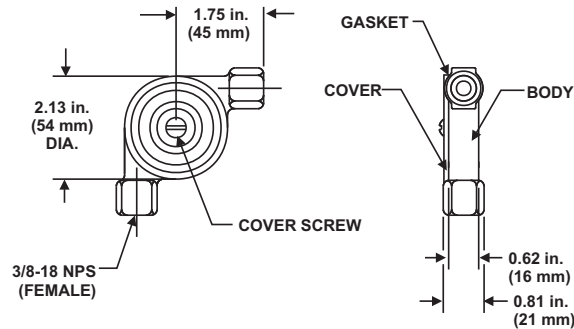
Corner Pulleys Data Sheet

FEATURES

- *UL Listed, ULC Listed, and FM Approved for use with Novec 1230 Systems*

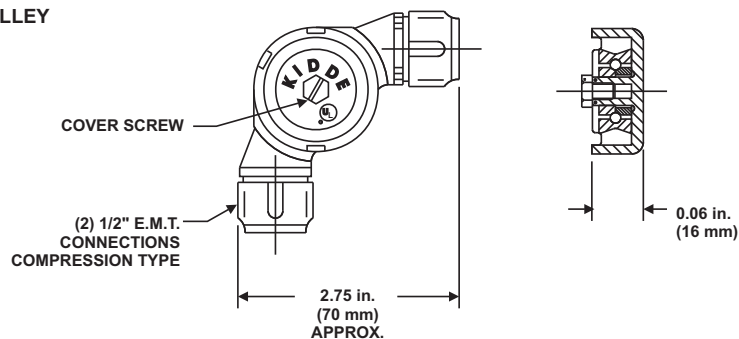
P/N: 803808 AND 844648

P/N: 80380
WATERTIGHT
CORNER PULLEY



MATERIAL
COVER AND BODY: BRASS
GASKET: RUBBER

P/N: 844648
1/2" E.M.T.
CORNER PULLEY



MATERIAL
COVER AND BODY: BRASS
GASKET: RUBBER

Kidde is a registered trademark of Kidde-Fenwal, Inc.
3M and Novec are trademarks of 3M.
All other trademarks are property of their respective owners.

This literature is provided for informational purposes only. KIDDE-FENWAL, INC. assumes no responsibility for the product's suitability for a particular application. The product must be properly applied to work correctly. If you need more information on this product, or if you have a particular problem or question, contact KIDDE-FENWAL, Inc.